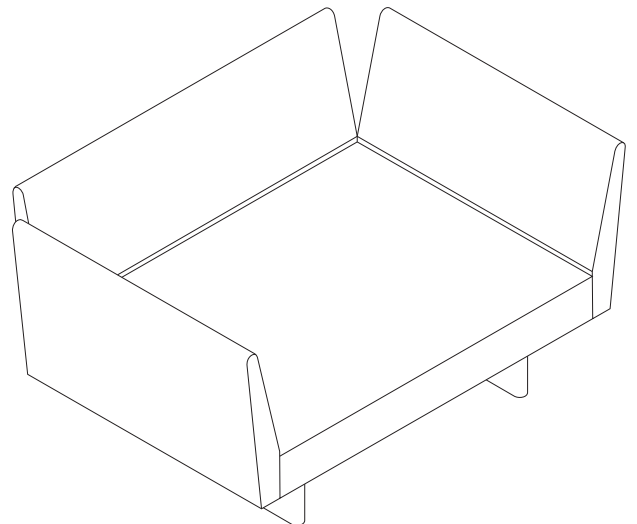
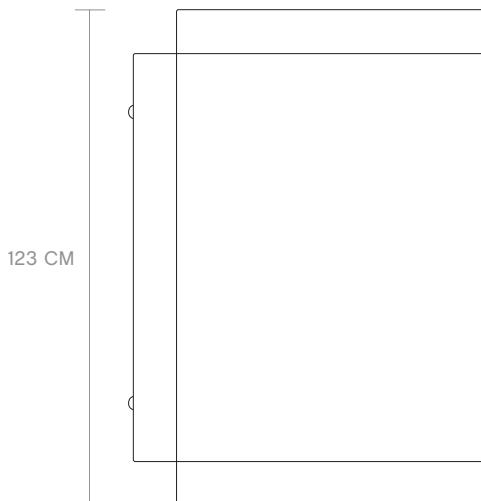
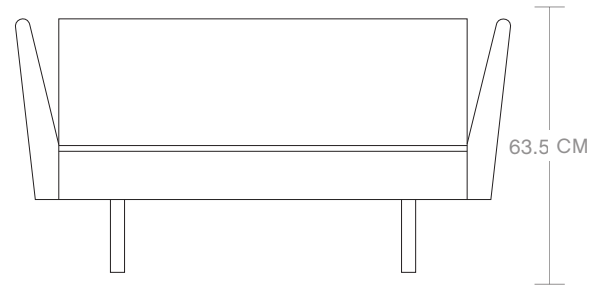
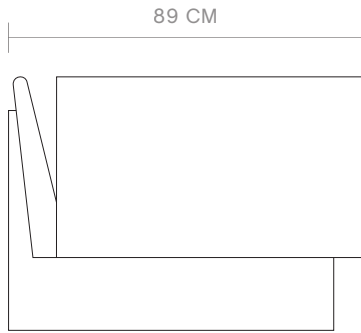




X+L 05 Modular Sofa - Both Arms  
*Technical Specification Sheet*

+91 77603 29900  
info@phantomhands.in  
phantomhands.in

# Phantom Hands

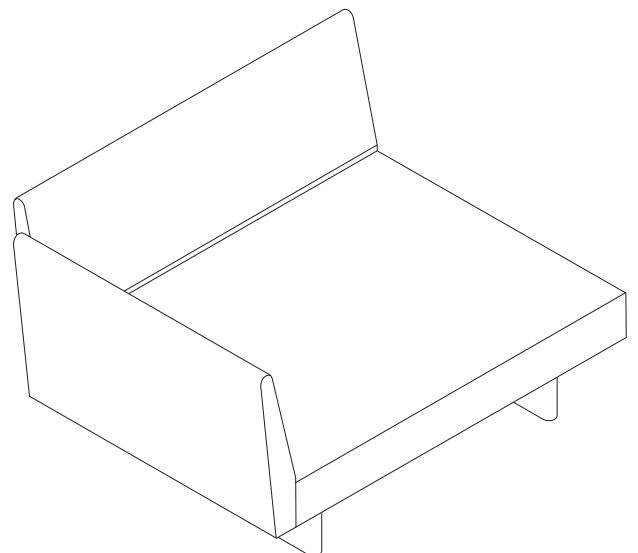
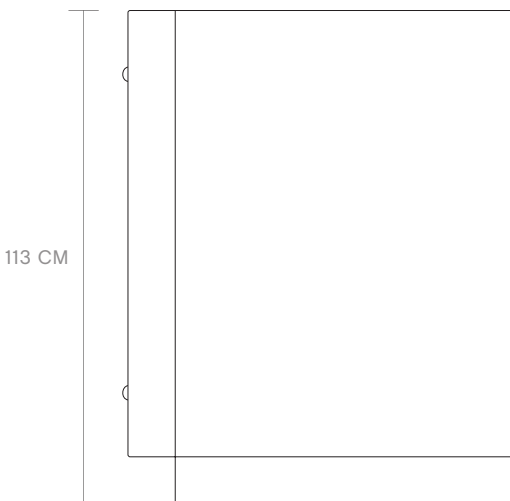
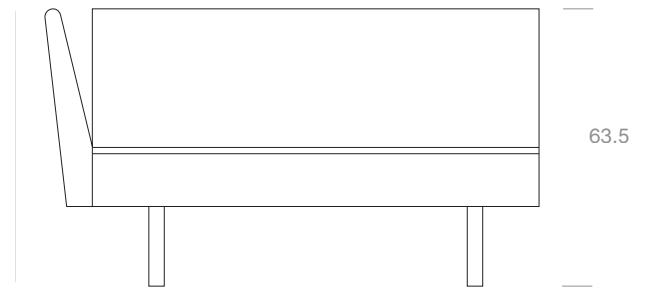
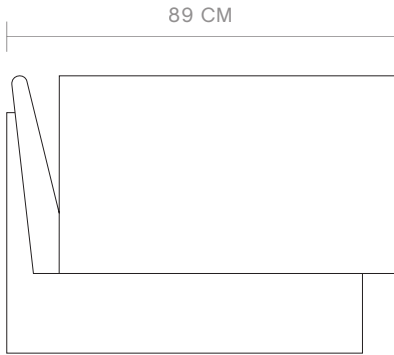




X+L 05 Modular Sofa - Left Arm  
*Technical Specification Sheet*

+91 77603 29900  
info@phantomhands.in  
phantomhands.in

# Phantom Hands

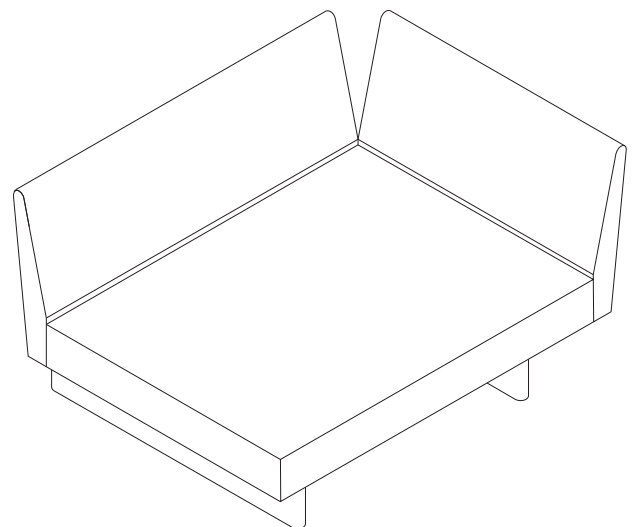
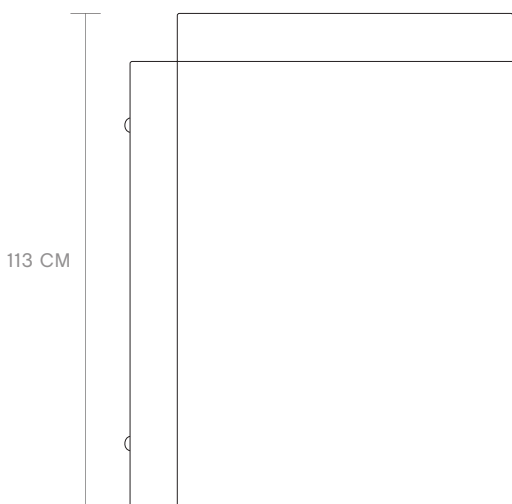
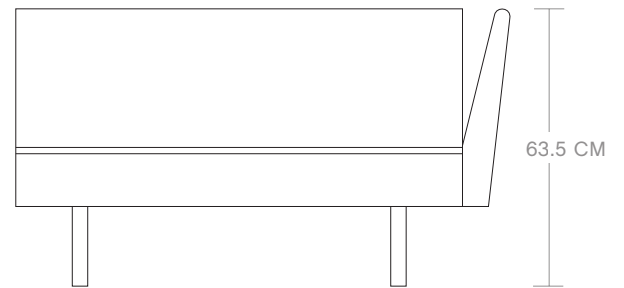
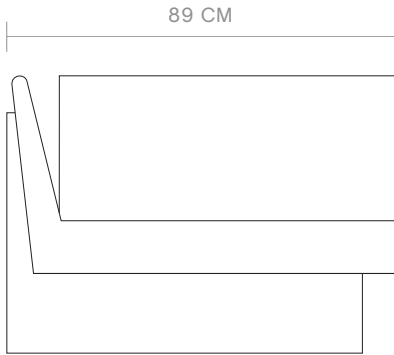




X+L 05 Modular Sofa - Right Arm  
*Technical Specification Sheet*

+91 77603 29900  
info@phantomhands.in  
phantomhands.in

# Phantom Hands





X+L 05 Modular Sofa - Armless  
*Technical Specification Sheet*

+91 77603 29900  
info@phantomhands.in  
phantomhands.in

# Phantom Hands

