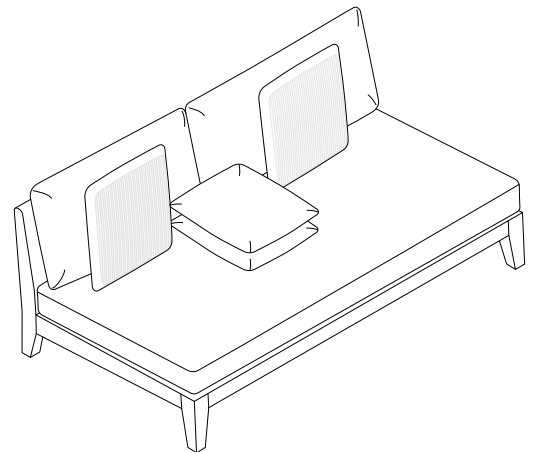
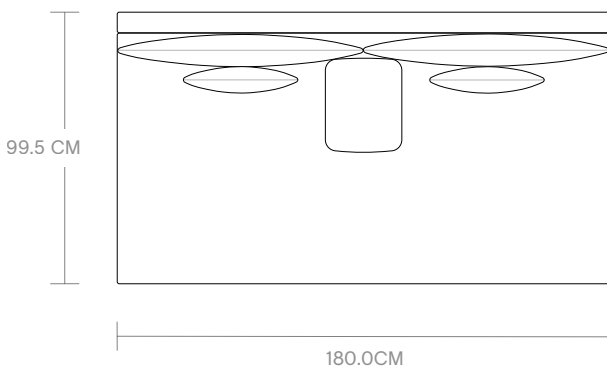
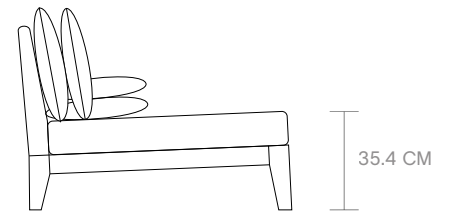
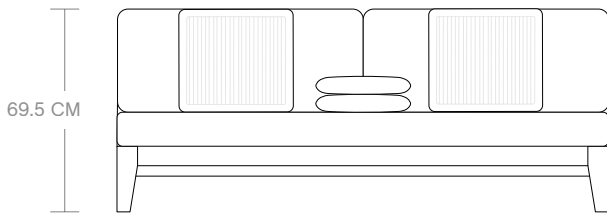




No. 11 Sofa (Checks) - Original
Technical Specification Sheet

+91 77603 29900
info@phantomhands.in
phantomhands.in

Phantom Hands





No. 11 Sofa (Checks) - Compact
Technical Specification Sheet

+91 77603 29900
info@phantomhands.in
phantomhands.in

Phantom Hands

